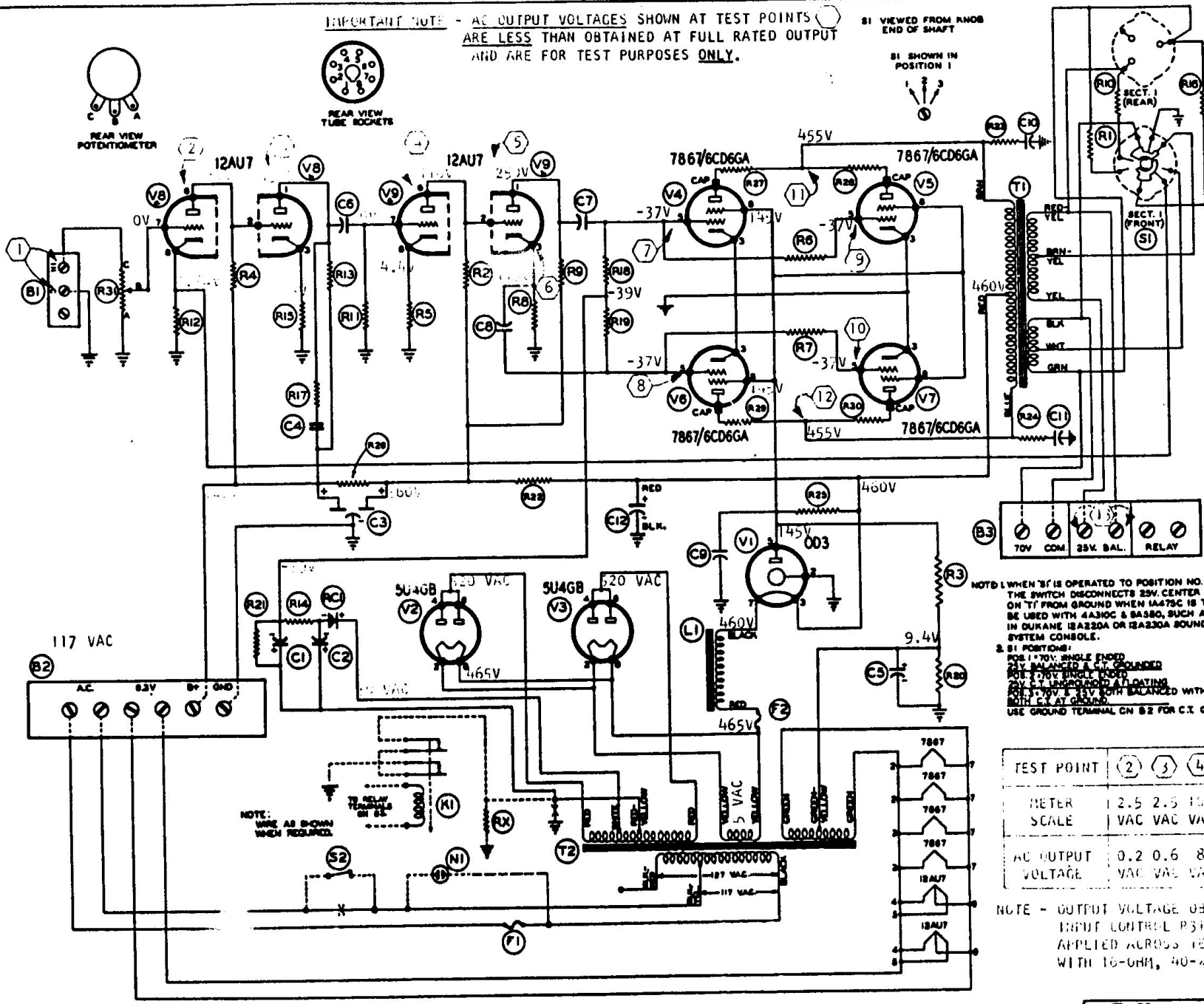


IMPORTANT NOTE - AC OUTPUT VOLTAGES SHOWN AT TEST POINTS ARE LESS THAN OBTAINED AT FULL RATED OUTPUT AND ARE FOR TEST PURPOSES ONLY.

S1 VIEWED FROM ANODE END OF SHAFT

S1 SHOWN IN POSITION 1



LIST OF ELECTRICAL PARTS

LEGEND	DESCRIPTION	NO. REQ'D	PART NO.
C1, C2	CAPACITOR 20 MFD. 150V	2	199-2018-208
C3	" 20-20 - 300V	1	199-2018-4
C4	" 00033 - 300V	1	199-2001-231
C5	" 23 - 25V	1	199-2001-234
C6, C7, C8, C9	" 25 - 800V	4	199-4038-234
C10, C11	" .003 - 1800V	2	199-4080-302
C12	" 18 - 800V	1	199-2943
V1	ELECTRON TUBE 003	1	352-003
V2, V3	" 5U4GB	2	352-314GB
V4, V5, V6, V7	" 7867/6CD6GA	4	352-08-00003
V8, V9	" 12AU7	2	352-12AU7
F1	FUSE 5 AMPERE	1	320-835-0300
F2	FUSE 1/2 AMPERE	1	320-835-0030
	FUSE HOLDER	2	321-10
RC1	RECTIFIER-SILICON	1	393-44
RL	FLYER CHDSE	1	353-18
R1	RESISTOR 150000 OHM 1W	1	800-0118-134
R2, R3	" 100000 "	2	800-0118-104
R4	" 270000 "	1	800-0118-274
R5	" 1500 "	1	800-0118-132
R6, R7	" 10000 "	2	800-0118-103
R8, R9, R10	" 33000 "	3	800-0118-333
R11	" 1000000 "	1	800-0118-109
R12	" 390 "	1	800-0118-381
R13	" 68000 "	1	800-0118-683
R14	" 1800 "	1	800-0118-182
R15	" 15000 "	1	800-0118-153
R16	" 120000 "	1	800-0118-124
R17	" 4700 "	1	800-0118-472
R18, R19	" 34000 "	2	800-0118-343
R20	" 6800 "	1	800-0118-682
R21	" 27000 "	1	800-0118-273
R22	" 10000 "	3W	800-1008-103
R23, R24	" 1000 "	10W	800-1011-102
R25	" 8500 "	23W	800-1014-852
R26	" 10000 "	3W	800-0293-103
R27, R28, R29, R30	" 50 "	3W	800-8041
R31	POTENTIOMETER 100000 OHM	1	801-54
S1	SWITCH-ROTARY 3 POSITION	1	880-357
B1	TERMINAL STRIP INPUT	1	703-341
B2	" " AC	1	703-218
B3	" " OUTPUT	1	703-224
T1	TRANSFORMER OUTPUT	1	710-2053
T2	" " POWER	1	710-4065

AUXILIARY PARTS

M1	LAMP-NEON	1	388-32
R1	RELAY 81 OHMS 24 VAC DRST.	1	388-30
S2	SWITCH S.P.S.T. A.C.	1	880-192
RX	RESISTOR 20000 OHM 10W	1	800-1011-203

NOTE: WHEN S1 IS OPERATED TO POSITION NO. 2, THE SWITCH DISCONNECTS 250V CENTER TAP ON T1 FROM GROUND WHEN 1A475C IS TO BE USED WITH 4A30C & B4880, SUCH AS IN DUKANE 1A220A OR 1A230A SOUND SYSTEM CONSOLE.

2. S1 POSITIONS:
 POS. 1 - 70V SINGLE ENDED
 POS. 2 - BALANCED & GROUND
 POS. 3 - 250V CENTER TAP
 POS. 4 - 250V CENTER TAP
 POS. 5 - 250V CENTER TAP
 POS. 6 - 250V CENTER TAP
 POS. 7 - 250V CENTER TAP
 POS. 8 - 250V CENTER TAP
 POS. 9 - 250V CENTER TAP
 POS. 10 - 250V CENTER TAP
 POS. 11 - 250V CENTER TAP
 POS. 12 - 250V CENTER TAP
 POS. 13 - 250V CENTER TAP

USE GROUND TERMINAL CN 82 FOR C.T. GROUND.

NOTE-04 REVISION STARTS ABOVE SERIAL NO. A 101,890.

TEST POINT	(2)	(3)	(4)	(5)	(6)	(7)	(8)	(9)	(10)	(11)	(12)	(13)
METER SCALE	2.5	2.5	10	10	10	10	10	10	10	250	250	10
AC OUTPUT VOLTAGE	0.2	0.6	8	5.7	5.7	5.7	5.7	5	5	83	83	9

NOTE - OUTPUT VOLTAGE OBTAINED WITH 1 KC SIGNAL (-0.15 VAC - INPUT CONTROL P31 SET TO OBTAIN 9 VAC AT TEST POINT (13) APPLIED ACROSS TEST POINT (1); OUTPUT VOLTAGE MEASURED WITH 16-OHM, 40-WATT LOAD RESISTOR ACROSS TEST POINT (1)

3. VOLTAGES ARE MEASURED WITH 20,000 OHM (5000 OHM/V) VOM.
 4. ALL VOLTAGE MEASUREMENTS, UNLESS OTHERWISE NOTED, ARE MEASURED FROM TEST POINT (1) TO CHASSIS GROUND.

DUKANE SCHEMATIC DIAGRAM MODEL 1A475C 75/100 WATT

NO. 100-1032